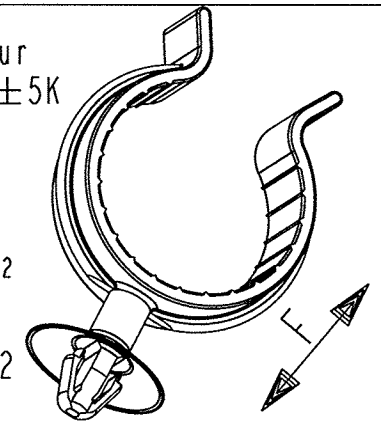


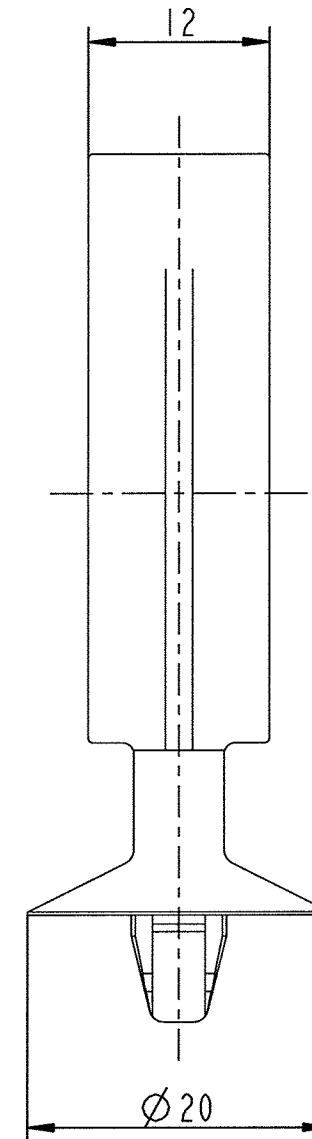
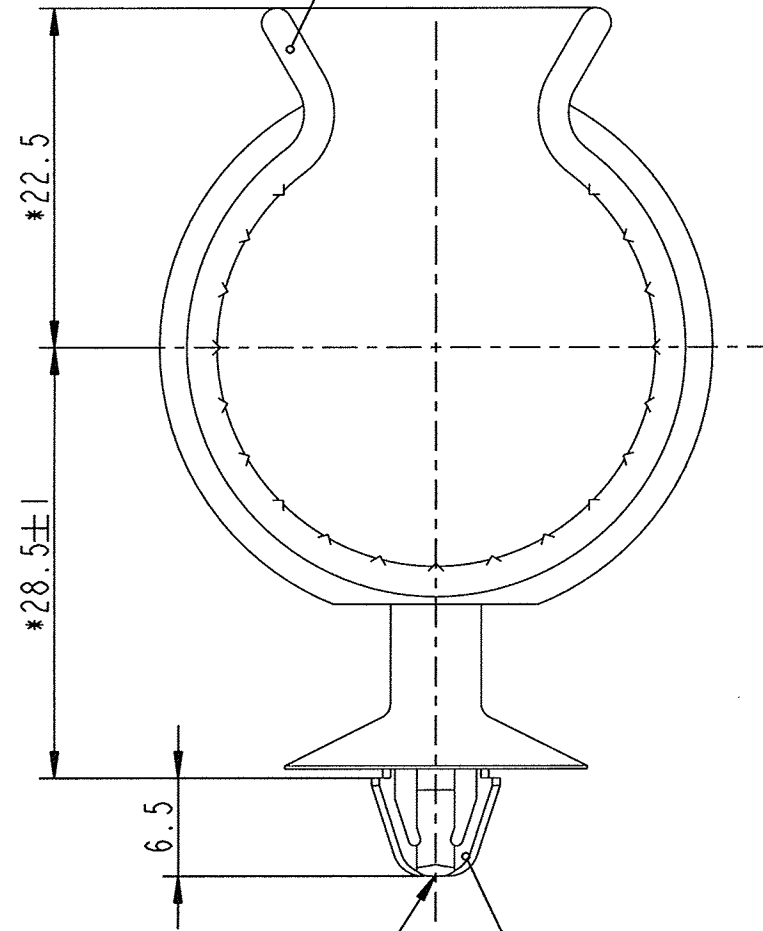
Abzugskraft F min. 80 N bei Raumtemperatur
 force to disengage F min. 80 N to +23°C ±5K

1:1



Teil-Nr./Part.-No.: 014067 004
 fuer Rohr- oder Schlauch-Ø28 ... Ø30
 applicable for pipe-or hose-Ø28 ... Ø30

Befest. - Loch = Ø6,5^{+0.2}
 Fastening hole
 Befest. - Dicke = 0.8 ... 2
 Fastening thickness



Anspritzbutzen zulaessig
 Core at injection point allowed

Teil-Nr./Part.-No.: 016360 001
 Aufnahmuehse / connector sleeve

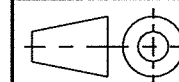
* Maße sind bei eingedruecktem
 Pruefstift Ø28 zu messen
 dimensions must be measured with
 preassembled test pin Ø28

Teilgewicht errechnet : 4.5 g
 part weight calculated :

081624 000	schwarz black	SW	7000
Teil-Nr. / Part-No.	Oberflaeche / Farbe / Finish / colour	Kennzahl / Code number	
Ausfuehrung / Execution			

-	-	-	-	-
-	-	-	-	-
-	-	-	-	-
-	-	-	-	-
-	-	-	-	-
Aa	-	Indexreform SAP / keine Teileaenderung	20.10.08	kl
Ind.	kommt vor/ how often	Beschreibung / Description	Datum/Date	Name

Aenderungen / Modifications



A Raymond
 GmbH & Co. KG

Format DIN A3

SPEZIALBEFESTIGUNGSSYSTEME WELTWEIT / ENGINEERED FASTENERS WORLDWIDE

Bei Verstaendnisproblemen beantragen Sie bitte beim Absender die deutsche Fassung vor jeder Anwendung.
 "CONDITIONS OF USE"
 This drawing and all information (the "Drawing") disclosed are the exclusive property of A.Raymond. By using this Drawing the Addressee acknowledge and accept that this Drawing (1) is covered by A.Raymond' intellectual property rights or know-how and (2) is provided under the following conditions who represent a Deposit Agreement. This Drawing is for Addressee' internal use only limited to its estimation. Without prior written consent of A.Raymond, no permission or rights for any purpose, is hereby granted, such as, without any limitation, (1) the copy, in part or entirely (2) and/or the presentation, in part or entirely, to any other third party outside the Addressee' company or in the company but with no interest (3) and/or the distribution of the Drawing, in part or entirely, in any medium (4) and/or the creation of any derivative work. In case of breach of these conditions, Addressee shall indemnify A.Raymond from and against all damages (compensatory or consequential), costs, expenses and charges, caused or arising out of or attributable to its willful misconduct, fraud, negligence, infringement of A.Raymond' Intellectual Property rights. If the Addressee does not accept these conditions, please notify A.Raymond' sender immediately.

Dateiname/ Filename	CAD-PE: 081624_C_01		
Ersatz fuer/ Substitute for	81 624.691 vom 25.01.1996	Proj.-Nr./ Proj.-No.	49780-K
		RASCH- Code	BADA-
		Vol.(mm ³)	-
		Gewicht/ Weight (g)	-

Schutzrechte/
Patent rights vorbehalten / all rights reserved

Gepr./ App.	F.-gepr./ Produktion	Q.-gepr./ Quality	S.-gepr./ Patent app.
Maßstab / Scale	Allgem.Tol. wenn nicht anders angegeben/ General tol. unless otherwise specified	Datum/ Date	20.10.2008
2:1	±0.5 ±5°	Gez./ Drawn	Klar <i>kl</i>

Oberflaechenbehandlg./ Finish	-	Kennzahl/ Code number	-
----------------------------------	---	--------------------------	---

Werkstoffbehandlg./ Material treatment	-	Blehdicke/ Mat.Thickn. DIN EN 10 140	-
---	---	--	---

Werkstoff/ Material	POM - C - Standard	Mat.-Code	5003
------------------------	--------------------	-----------	------

Benennung/
Partname
 Aufnahmuehse/Schlauchhalter drehbar
 connector sleeve / hose clip rotatable

Teil-Nr./ Part-No.	081624 000	C
-----------------------	------------	---