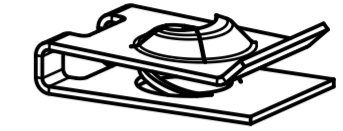
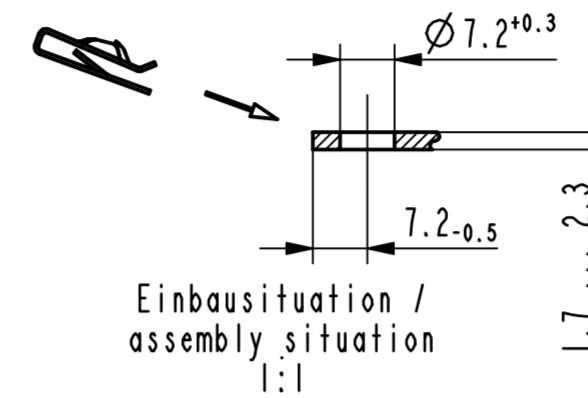
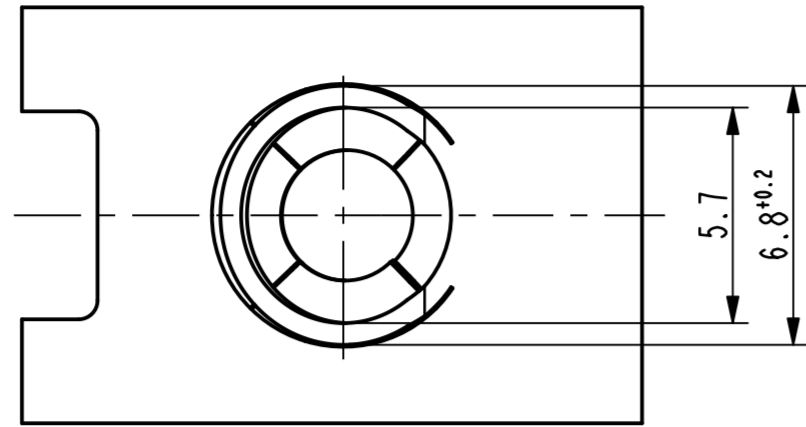
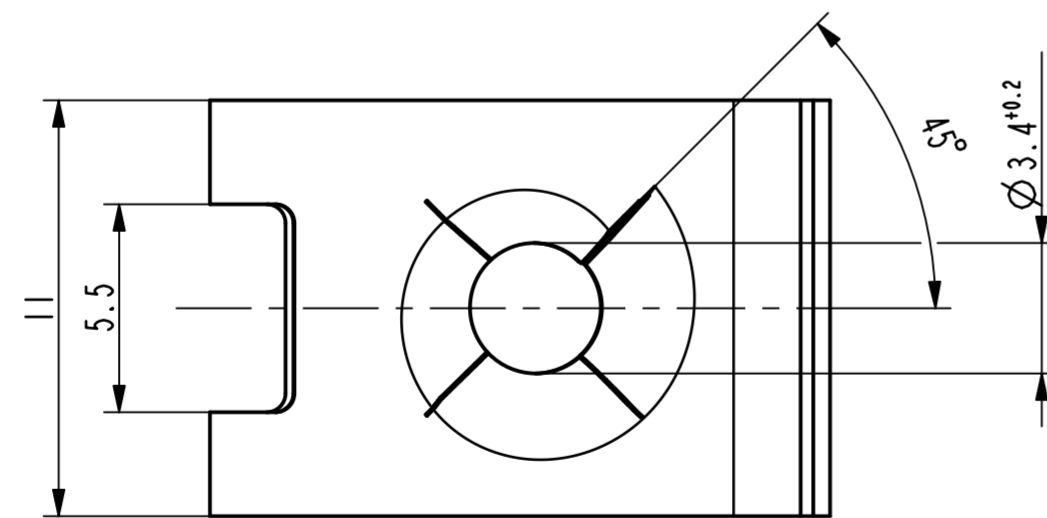
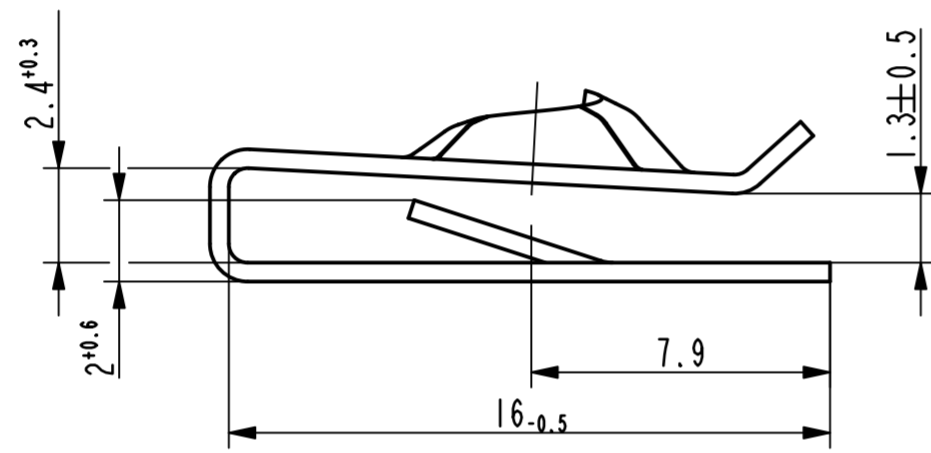


Vor Auslegung einer automatisierten Verarbeitung des Teils sollte Rücksprache mit Fa. A.Raymond gehalten werden.
Fully automatic processing of the part requires prior consultation with A.Raymond GmbH.



Isometrische Ansicht / isometric view 2:1



-	-	-	-	-
-	-	-	-	-
-	-	-	-	-
-	-	-	-	-
-	-	-	-	-
-	-	-	-	-
-	-	-	-	-
-	-	-	-	-
-	-	-	-	-
-	-	-	-	-
Ae	2x	Oberflächenvariante -08 (5100) u. -09 (4001) hinzugefügt	24.02.12	foH
Ad	-	Oberflächenvariante entfernt (3000)	28.03.11	mj
Rev.	Anzahl/quality	Änderungsbeschreibung / modification description	Datum/date	Name



Teichstrasse 57
Germany - 79511 Loerrach
Phone +49 (0) 7621 174-0
Fax +49 (0) 7621 174-225

Bei Verständnisproblemen beantragen Sie bitte beim Absender die deutsche Fassung vor jeder Anwendung.
"CONDITIONS OF USE"
This drawing and all information (the "Drawing") disclosed are the exclusive property of A.Raymond.
By using this Drawing the Addressee acknowledges and accepts that this Drawing (1) is covered by A.Raymond' intellectual property rights or know-how and (2) is provided under the following conditions who represent a Deposit Agreement.
This Drawing is for Addressee' internal use only limited to its estimation.
Without prior written consent of A.Raymond, no permission or rights for any purpose, is hereby granted, such as, without any limitation, (1) the copy, in part or entirely, (2) and/or the presentation, in part or entirely, to any other third party outside the Addressee' company or in the company but with no interest (3) and/or the distribution of the Drawing, in part or entirely, in any medium (4) and/or the creation of any derivative work.
In case of breach of these conditions, Addressee shall indemnify A.Raymond from and against all damages (compensatory or consequential), costs, expenses and charges, caused or arising out of or attributable to its willful misconduct, fraud, negligence, infringement of A.Raymond' intellectual property rights. If the Addressee does not accept these conditions, please notify A.Raymond' sender immediately.

Intellectual property rights	vorbehalten / all rights reserved		Classification code	AABAE
Ersatz fuer/ substitute for	013956_c.01/Ac/24.01.2007	Entw.Ref./ dev.ref.	Projekt-Nr./ project no.	
Masstab/ scale	5:1	Format	A2	
Allgemeintoleranz/ general tolerance	±0.3 / ±5°		Datum/ date	28.03.2011
Erstellt von/ prepared by	M. Junge		Freigegeben/ approved	20120228055735
Projektion / projection	ALL DIMENSIONS ARE IN MILLIMETERS		Blechkörperl. / met. thickness DIN EN 10140	0.50
Volumen/ volume (mm³)	159.0	Gericht/ weight (g)	1.3	

Oberfl./ finish	metallhaltige Korrosionsschutzbeschichtung, Farbe silber metallic corrosion protection coated, colour silver	Oberfl. Code/ finish code	5412
-----------------	---	---------------------------	------

Werkstoffbehandl./ material treatment	zwischenstufenverguetet / austempered 375 ... 475 HV 5
---------------------------------------	---

Werkstoff/ material	C67S DIN EN 10132-4	Mat. code	1000
---------------------	---------------------	-----------	------

Bezeichnung/ title
Blechmutter
für Gewinde EN ISO 1478-ST 4.8, selbstsichernd
sheet metal nut
for thread EN ISO 1478-ST 4.8, selflocked

Teil-Nr./ part no.	013956-0-02	Drawing type	C:Customer
--------------------	-------------	--------------	------------

Kundenteile-Nr. / customer part no.	-	Blatt / sheet	1 / 1
CAD system & version	ProE WF4	Dateiname / filename	013956-0C00

Ⓐe	013956-0-09	metallhaltige Korrosionsschutzbeschichtung, Farbe silber, GZ metallic corrosion protection coated, colour silver, lubricated	4001
Ⓐe	013956-0-08	phosphatiert / imprägniert phosphated / oiled	5100
	013956-0-07	metallhaltige Korrosionsschutzbeschichtung, Farbe schwarz, GZ metallic corrosion protection coated, colour black, lubricated	5453
	013956-0-06	metallhaltige Korrosionsschutzbeschichtung, Farbe silber, GZ metallic corrosion protection coated, colour silver, lubricated	5452
	013956-0-05	verzinkt / passiviert farblos zinc plated / passivated colourless	3250
	013956-0-04	metallhaltige Korrosionsschutzbeschichtung, Farbe schwarz metallic corrosion protection coated, colour black	5451
	013956-0-03	metallhaltige Korrosionsschutzbeschichtung, Farbe silber, GZ metallic corrosion protection coated, colour silver, lubricated	5442

<http://www.cergy-vis.fr>
[CERGY-VIS]
ET SI ON PARLAIT SERVICE

Teil-Nr. / part no.	Oberfläche / Farbe / finish / colour	Oberfl. Code/ finish code
Ausführung / Execution		