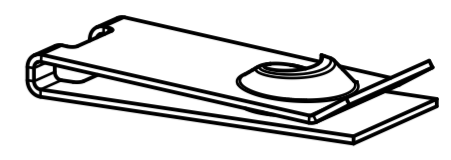
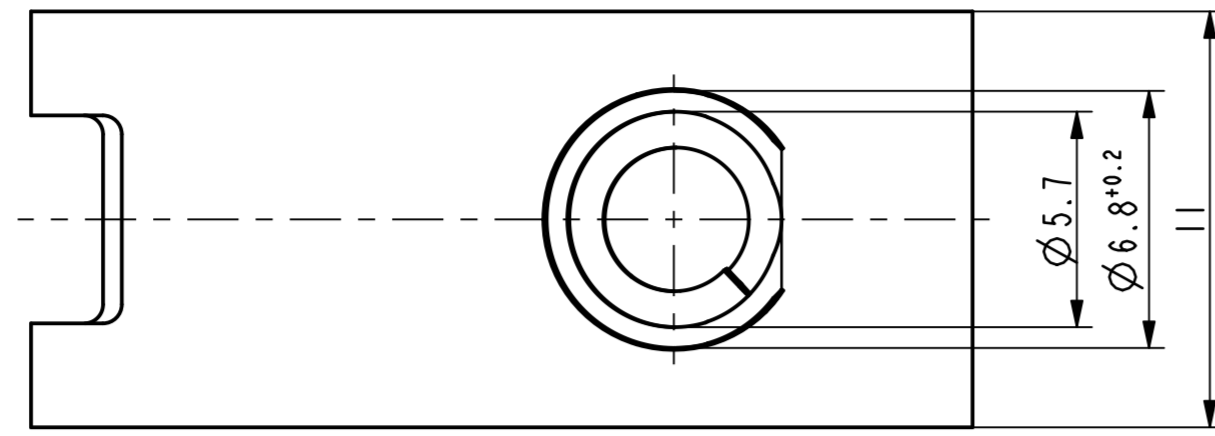
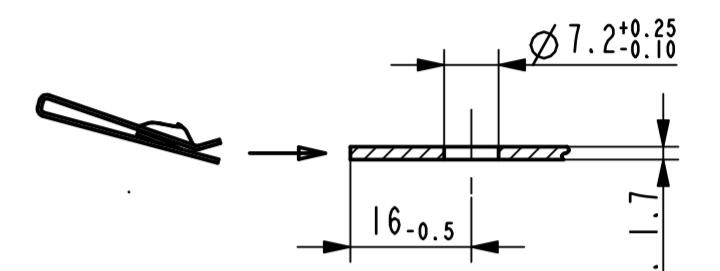


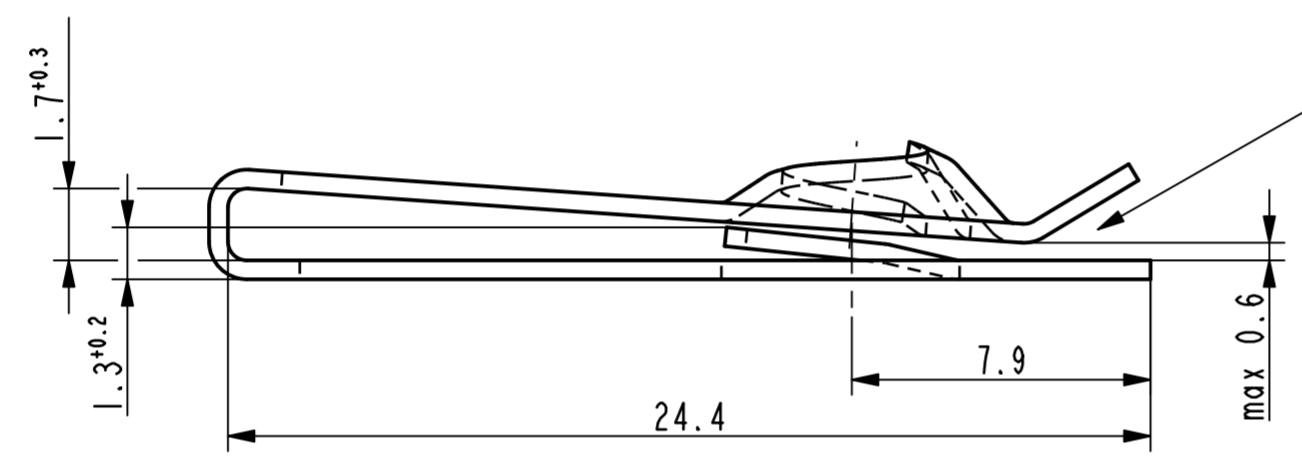
Vor Auslegung einer automatisierten Verarbeitung des Teils sollte Rücksprache mit Fa. A.Raymond gehalten werden.
Fully automatic processing of the part requires prior consultation with A.Raymond GmbH.



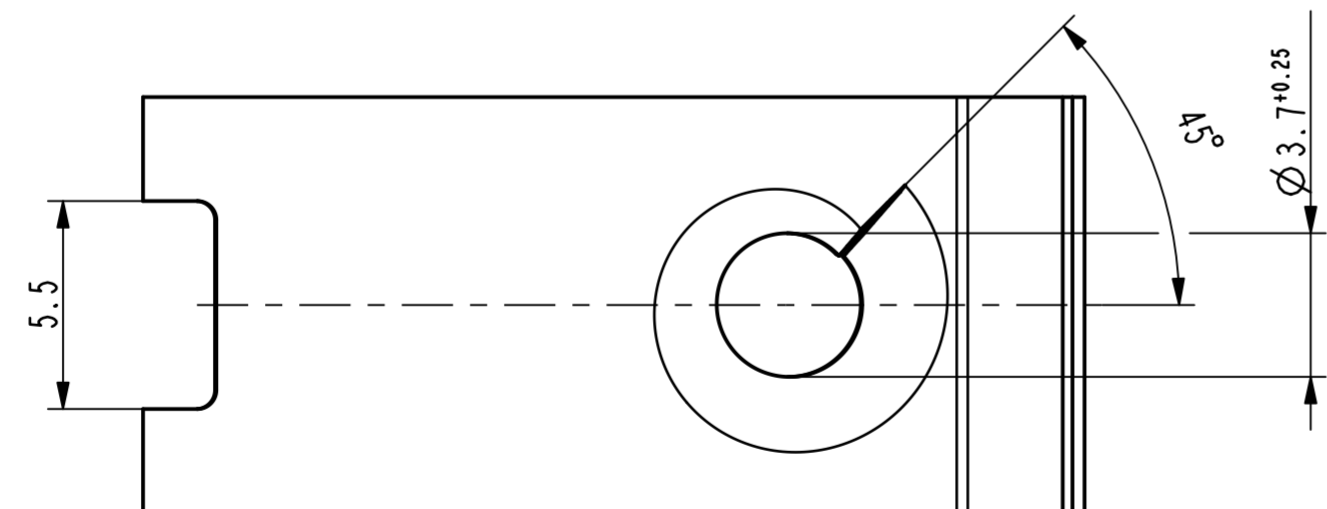
3D-Ansicht /
isometrical view
2:1




Einbausituation /
assembly situation
1:1



Ueberbrueckung der Oeffnung durch metallhaltige Korrosionsschutzbeschichtung zulassig / surface finish bridging permissible (Ab)



Rev.	Ab	ix	Oberflaechenvariante entfernt (3000); Bemerkung hinzuefig.	02.03.11	mj
Anzahl/quantity		Aenderungsbeschreibung / modification description		Datum/date	Name
					
			Teichstrasse 57 Germany - 79511 Loerrach Phone +49 (0) 7621 174-0 Fax +49 (0) 7621 174-225		

Bei Verstaeandnisproblemen beantragen Sie bitte beim Absender die deutsche Fassung vor jeder Anwendung.
"CONDITIONS OF USE"
This drawing and all information (the "Drawing") disclosed are the exclusive property of A.Raymond.
By using this Drawing the Addressee acknowledges and accepts that this Drawing (1) is covered by A.Raymond' intellectual property rights or know-how and (2) is provided under the following conditions who represent a Deposit Agreement.
This Drawing is for Addressee' internal use only limited to its estimation.
Without prior written consent of A.Raymond, no permission or rights for any purpose, is hereby granted, such as, without any limitation, (1) the copy, in part or entirely, (2) and/or the presentation, in part or entirely, to any other third party outside the Addressee' company or in the company but with no interest (3) and/or the distribution of the Drawing, in part or entirely, in any medium (4) and/or the creation of any derivative work.
In case of breach of these conditions, Addressee shall indemnify A.Raymond from and against all damages (compensatory or consequential), costs, expenses and charges, caused or arising out of or attributable to its willful misconduct, fraud, negligence, infringement of A.Raymond' intellectual property rights. If the Addressee does not accept these conditions, please notify A.Raymond' sender immediately.

Intellectual property rights	vorbehalten / all rights reserved		Classification code	AABAE
Ersatz fuer/ substitute for	013219.c.01/Aa/27.04.2007	Entw.Ref./ dev.ref.	Projekt-Nr./ project no.	
Masstab/ scale	5:1	Allgemeintoleranz/ general tolerance	Datum/ date	02.03.2011
Format	A2	± 0.25 / ± 5°	Erstellt von/ prepared by	M. Junge
Projektion / projection	ALL DIMENSIONS ARE IN MILLIMETERS	Freigegeben/ approved	20110519091256	
Blechkoeche/ mat. thickness DIN EN 10140	0.50	Volumen/ volume (mm³)	250.4	Gewicht/ weight (g) 2.0
Oberfl./ finish	metallhaltige Korrosionsschutzbeschichtung, Farbe silber metallic corrosion protection coated, colour silver			Oberfl. Code/ finish code 5412
Werkstoffbehandl./ material treatment	zwischenstufenverguetet / austempered 375 ... 475 HV 5			
Werkstoff/ material	C67S DIN EN 10132-4			Mat. code 1000

Bezeichnung/ title		Blechmutter fuer Gewinde EN ISO 1478 - ST4.8 sheet metal nut for thread EN ISO 1478 - ST4.8	
Teil-Nr. / part no.	013219-0-03	Drawing type	C:Customer
Kundenteile-Nr. / customer part no.	-	Blatt / sheet	1 / 1
CAD system & version	ProE WF4	Dateiname / filename	013219-0C00

013219-0-05	metallhaltige Korrosionsschutzbeschichtung, Farbe silber, GZ metallic corrosion protection coated, colour silver, lubricated	4001
013219-0-04	verzinkt / passiviert farblos zinc plated / passivated colourless	3250
Teil-Nr. / part no.	Oberflaeche / Farbe / finish / colour	Oberfl. Code/ finish code
Ausfuhrung / Execution		

<http://www.cergy-vis.fr>

 ET SI ON PARLAIT SERVICE