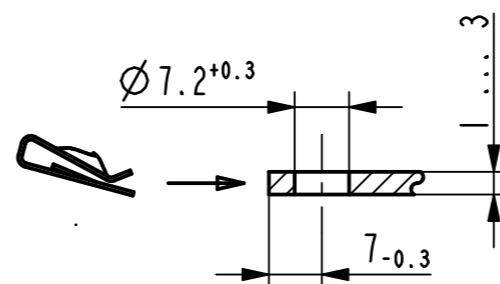
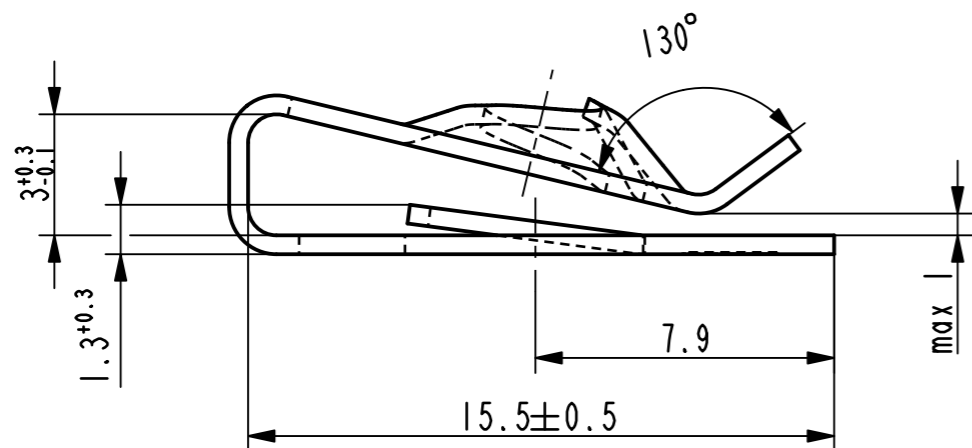
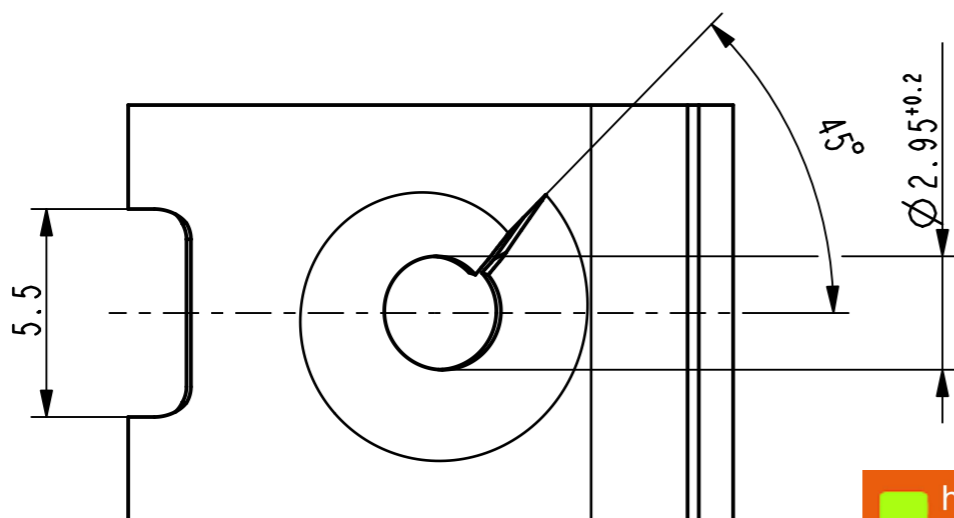


3D-Ansicht / isometrical view 2:1



Einbausituation / assembly situation 1:1



Vor Auslegung einer automatisierten Verarbeitung des Teils sollte Ruecksprache mit Fa. A.Raymond gehalten werden.
Fully automatic processing of the part requires prior consultation with A.Raymond GmbH.

-	-	-	-	-
-	-	-	-	-
-	-	-	-	-
-	-	-	-	-
-	-	-	-	-
-	-	-	-	-
-	-	-	-	-
-	-	-	-	-
-	-	-	-	-
-	-	-	-	-

Ba	-	Oberflaechenvariante entfernt (3000)	23.11.10	mj
Rev.	Anzahl/ quantity	Aenderungsbeschreibung / modification description	Datum/date	Name



Teichstrasse 57
Germany - 79511 Loerrach
Phone +49 (0) 7621 174-0
Fax +49 (0) 7621 174-225

Bei Verstaendnisproblemen beantragen Sie bitte beim Absender die deutsche Fassung vor jeder Anwendung.
"CONDITIONS OF USE"
This drawing and all information (the "Drawing") disclosed are the exclusive property of A.Raymond. By using this Drawing the Addressee acknowledges and accepts that this Drawing (1) is covered by A.Raymond' Intellectual property rights or know-how and (2) is provided under the following conditions who represent a Deposit Agreement. This Drawing is for Addressee' Internal use only limited to its estimation. Without prior written consent of A.Raymond, no permission or rights for any purpose, is hereby granted, such as, without any limitation, (1) the copy, in part or entirely, (2) and/or the presentation, in part or entirely, to any other third party outside the Addressee' company or in the company but with no interest (3) and/or the distribution of the Drawing, in part or entirely, in any medium (4) and/or the creation of any derivative work. In case of breach of these conditions, Addressee shall indemnify A.Raymond from and against all damages (compensatory or consequential), costs, expenses and charges, caused or arising out of or attributable to its willful misconduct, fraud, negligence, infringement of A.Raymond' Intellectual property rights. If the Addressee does not accept these conditions, please notify A.Raymond' sender immediately.

Schutzrechte/ patent rights	vorbehalten / all rights reserved		Rasch Code/ classification	AABAC	
Ersatz fuer/ substitutue for	011347_c_01/B/30.05.2005	Entw.Ref./ dev.ref.	Projekt-Nr./ project no. 59937-EM		
Maszstab/ scale	Format	Allgemeintoleranz/ general tolerance	Datum/ date	23.11.2010	
			Erstellt von/ prepared by	M. Junge	
Projektion / projection	ALL DIMENSIONS ARE IN MILLIMETERS	Freigegeben/ approved	20101123134840		
			Blechdicke/ mat. thickness DIN EN 10140	0.50	Volumen/ volume (mm³)

Oberfl./
finish verzinkt / passiviert farblos
zinc plated / passivated colourless
Oberfl. Code/
finish code 3250

Werkstoffbehandl./
material treatment zwischenstufenverguetet / austempered
435 ... 535 HV 5

Werkstoff/
material C67S DIN EN 10132-4
Mat. code 1000

Benennung/
title **Blechmutter**
fuer Gewinde EN ISO 1478 - ST3.9
sheet metal nut
for thread EN ISO 1478 - ST3.9

Teil-Nr./
part no. 011347-0-02
Drawing type Customer

Kundenteile-Nr. / customer part no. -
Blatt / sheet 1 / 1
CAD system & version ProE WF3
Dateiname / filename 011347-0C00

-	-	-
Teil-Nr. / part no.	Oberflaeche / Farbe / finish / colour	Oberfl. Code/ finish code
Ausfuehrung / Execution		