

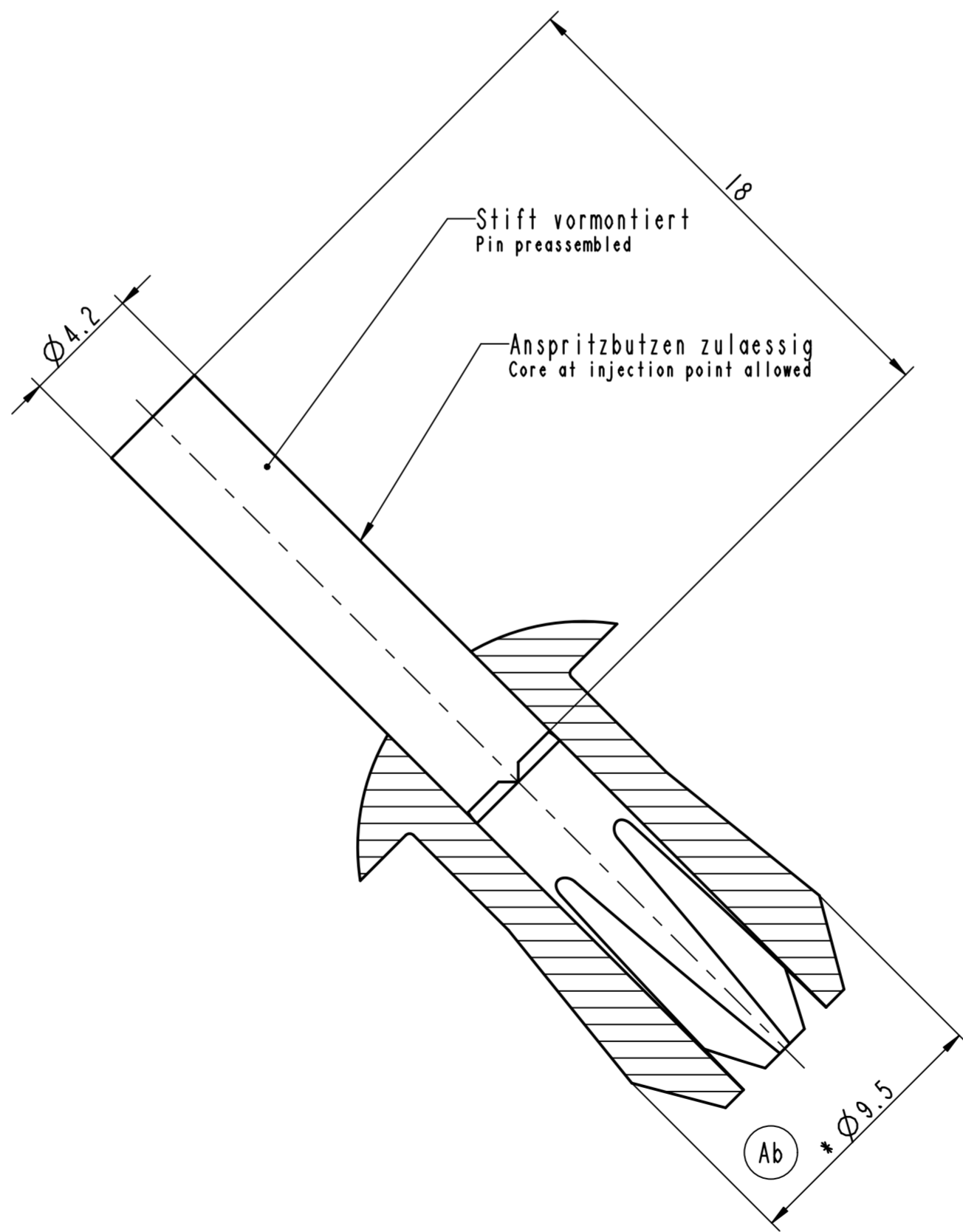
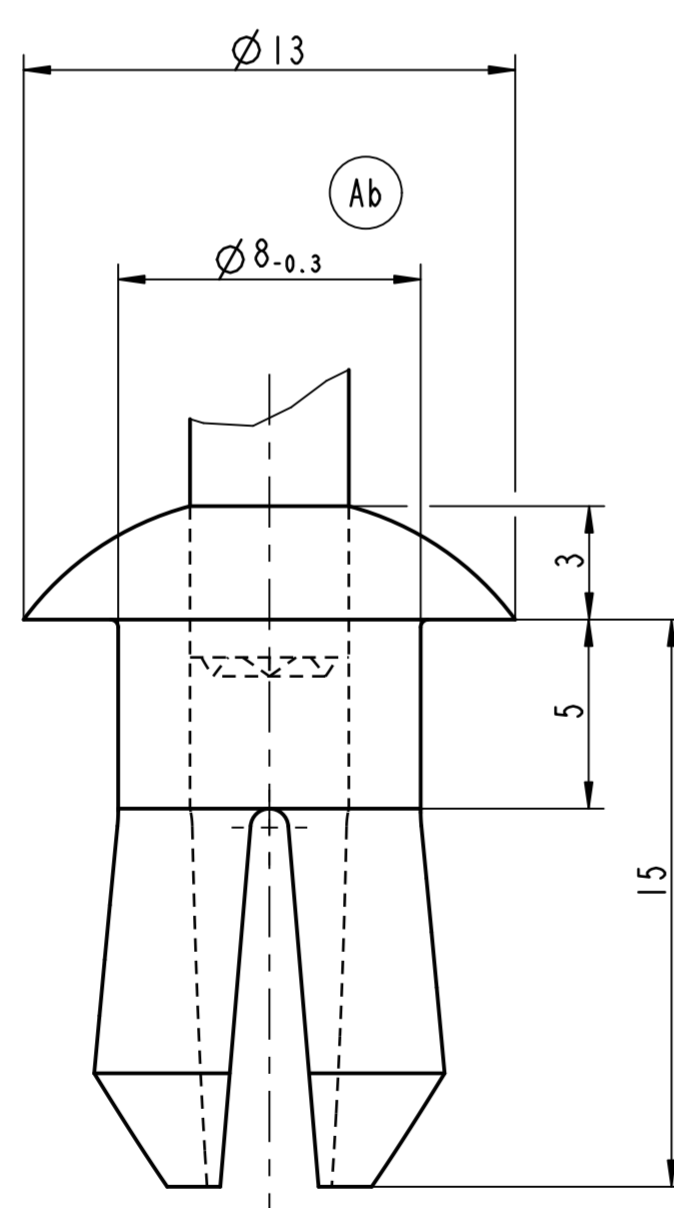
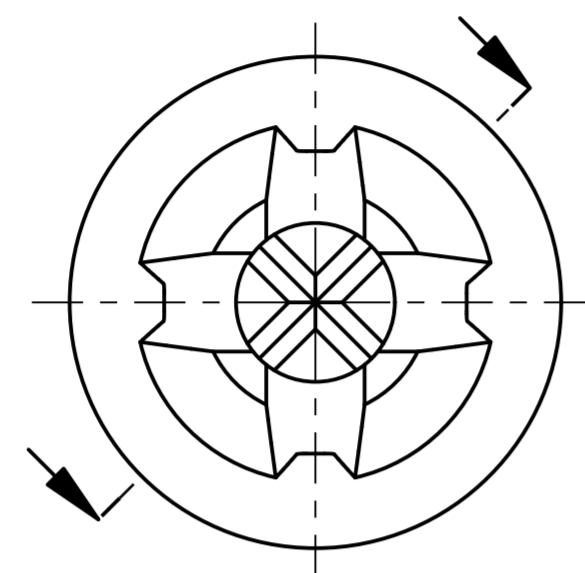
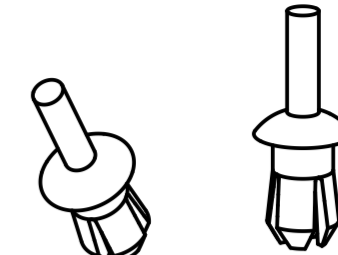
Kennzeichnung : / Identification:
 Hersteller - Code
 Mfr. - Code

* Maß ist bei eingedrücktem Stift zu messen
 Dimension must be measured with preassembled pin

Ab



1:1



| Bef. -Loch fastening hole $d^{+0.2}$ | Bef. -Dicke fastening thickness |
|--------------------------------------|---------------------------------|
| Ø 8.0 ^{+0.1} | 5.5 |
| Ø 8.2 | 7.0 |
| Ø 8.3 | 8.0 |
| Ø 8.4 | 9.0 |
| Ø 8.6 | 10.0 |

| | | | | |
|---|---|---|-------------------------|----------------------------------|
| Ab | 3x | Maß Ø8-0.3 war Ø8-02; Bemerkung und * hinzu | 07.07.11 | Jo |
| Aa | - | Erstfreigabe / initial release; neue Material-Variante | 06.05.11 | Jo |
| Rev. | Anzahl/quality | Aenderungsbeschreibung / modification description | Datum/date | Name |
| | | Teichstrasse 57 Germany - 79511 Loerrach Phone +49 (0) 7621 174-0 Fax +49 (0) 7621 174-225 | | |
| Bei Verständnisproblemen beantragen Sie bitte beim Absender die deutsche Fassung vor jeder Anwendung. CONDITIONS OF USE This drawing and all information (the "Drawing") disclosed are the exclusive property of A.Raymond. By using this Drawing the Addressee acknowledges and accepts that this Drawing (1) is covered by A.Raymond' intellectual property rights or know-how and (2) is provided under the following conditions who represent a Deposit Agreement. This Drawing is for Addressee' internal use only limited to its estimation. Without prior written consent of A.Raymond, no permission or rights for any purpose, is hereby granted, such as, without any limitation, (1) the copy, in part or entirely, (2) and/or the presentation, in part or entirely, to any other third party outside the Addressee' company or in the company but with no interest (3) and/or the distribution of the Drawing, in part or entirely, in any medium (4) and/or the creation of any derivative work. In case of breach of these conditions, Addressee shall indemnify A.Raymond from and against all damages (compensatory or consequential), costs, expenses and charges, caused or arising out of or attributable to its willful misconduct, fraud, negligence, infringement of A.Raymond' intellectual property rights. If the Addressee does not accept these conditions, please notify A.Raymond' sender immediately. | | | | |
| Schutzrechte/patent rights | | vorbehalten / all rights reserved | | Classification Code |
| Ersatz fuer/substitute for | | Entw.Ref./dev.ref. | Projekt-Nr./project no. | |
| Maßstab/scale | Format | Allgemeintoleranz/general tolerance | Datum/date | Erstellt von/prepared by |
| 5:1 | A2 | ±0.5 / ±5° | 06.05.2011 | John |
| Projektion / projection | ALL DIMENSIONS ARE IN MILLIMETERS | | Freigegeben/approved | 20110711095633 |
| Blechkodiermet./thickness DIN EN 10140 | Volumen/volume (mm³) | 905 | Gericht/weight (g) | 0.98 |
| Oberfl./finish | | | | Oberfl. Code/finish code |
| Werkstoffbehand./material treatment | | | | |
| Werkstoff/material | PA 66 hochschlagzaeh, waermestabil PA 66 high impact strength, heat stabilized | | | Mat. code 2112 |
| Bezeichnung/title | Spreizniet plastic rivet | | | |
| Teil-Nr./part no. | 017385-0-02 | | | Drawing type C:Customer |
| Kundenteile-Nr. / customer part no. | | | | Blatt / sheet 1 / 1 |
| Ausfuehrung / Execution | | CAD system & version | ProE WF4 | Dateiname / filename 017385-0C01 |

| | | | |
|---------------------|---------------------------------------|---------------------------|------|
| 017385-0-02 | schwarz black | SW | 7000 |
| Teil-Nr. / part no. | Oberflaeche / Farbe / finish / colour | Oberfl. Code/ finish code | |