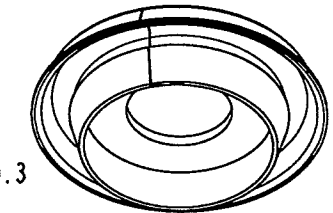


1:1



Befest. - Loch =  $\varnothing 28^{+0.3}$   
 Fastening hole  
 Befest. - Dicke = 0.5...2  
 Fastening thickness

-	-	-	-	-
-	-	-	-	-
-	-	-	-	-
-	-	-	-	-
-	-	-	-	-
-	-	-	-	-

Aa	-	Erstfreigabe	16.11.06	kl
Ind.	Samt vor/ hvor efter	Beschreibung / Description	Datum/Date	Name

Aenderungen / Modifications



Format DIN A3

Bei Verstaendnisproblemen beantragen Sie bitte beim Absender die deutsche Fassung vor jeder Anwendung.  
 "CONDITIONS OF USE"  
 This drawing and all information (the "Drawing") disclosed are the exclusive property of A-Raymond. By using this Drawing the Addressee acknowledge and accept that this Drawing (1) is covered by A-Raymond' intellectual property rights or know-how and (2) is provided under the following conditions who represent a Deposit Agreement. This Drawing is for Adressee' internal use only limited to its estimation. Without prior written consent of A-Raymond, no permission or rights for any purpose, is hereby granted, such as, without any limitation, (1) the copy, in part or entirely (2) and/or the presentation, in part or entirely, to any other third party outside the Addressee' company or in the company but with no interest (3) and/or the distribution of the Drawing, in part or entirely, in any medium (4) and/or the creation of any derivative work. In case of breach of these conditions, Addressee shall indemnify A-Raymond from and against all damages (compensatory or consequential), costs, expenses and charges, caused or arising out of or attributable to its willful misconduct, fraud, negligence, infringement of A-Raymond' Intellectual Property rights. If the Addressee does not accept these conditions, please notify A-Raymond' sender immediately.

Teilname/ Filename	CAD-PE: 208071_C.01			
Ersatz fuer/ Substitute for	Proj.-Nr./ Proj.-No.	55852-K	RASCH- Code	FBAAA
	Vol.(mm <sup>3</sup> )	2536	Gewicht/ Weight (g)	2.33

Schutzrechte/  
Patent rights vorbehalten / all rights reserved

Gepr./ App.	KG	F.-gepr./ Produktion	Q.-gepr./ Quality	S.-gepr./ Patent app.
Masstab / Scale	5:1	Allgem.Tol. wenn nicht anders angegeben/ General tol. unless otherwise specified	Datum/ Date	16.11.2006
		$\pm 0.5 / \pm 3^\circ$	Gez./ Drawn	Klar

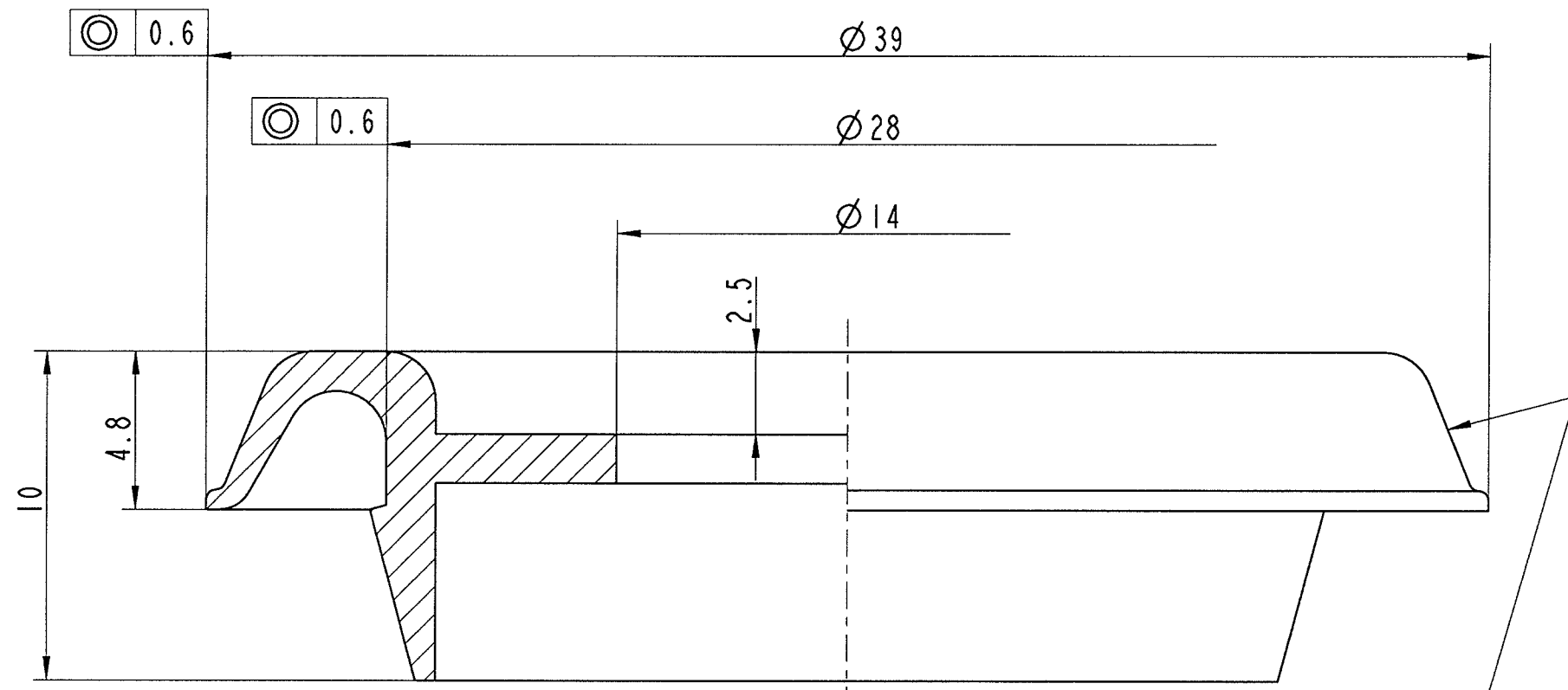
Oberflaechenbehandlg./ Finish	-	Kennzahl/ Code number	-
----------------------------------	---	--------------------------	---

Werkstoffbehandlg./ Material treatment	-	Blechkicke/ Mat. Thickn. DIN EN 10 140	-
---	---	--	---

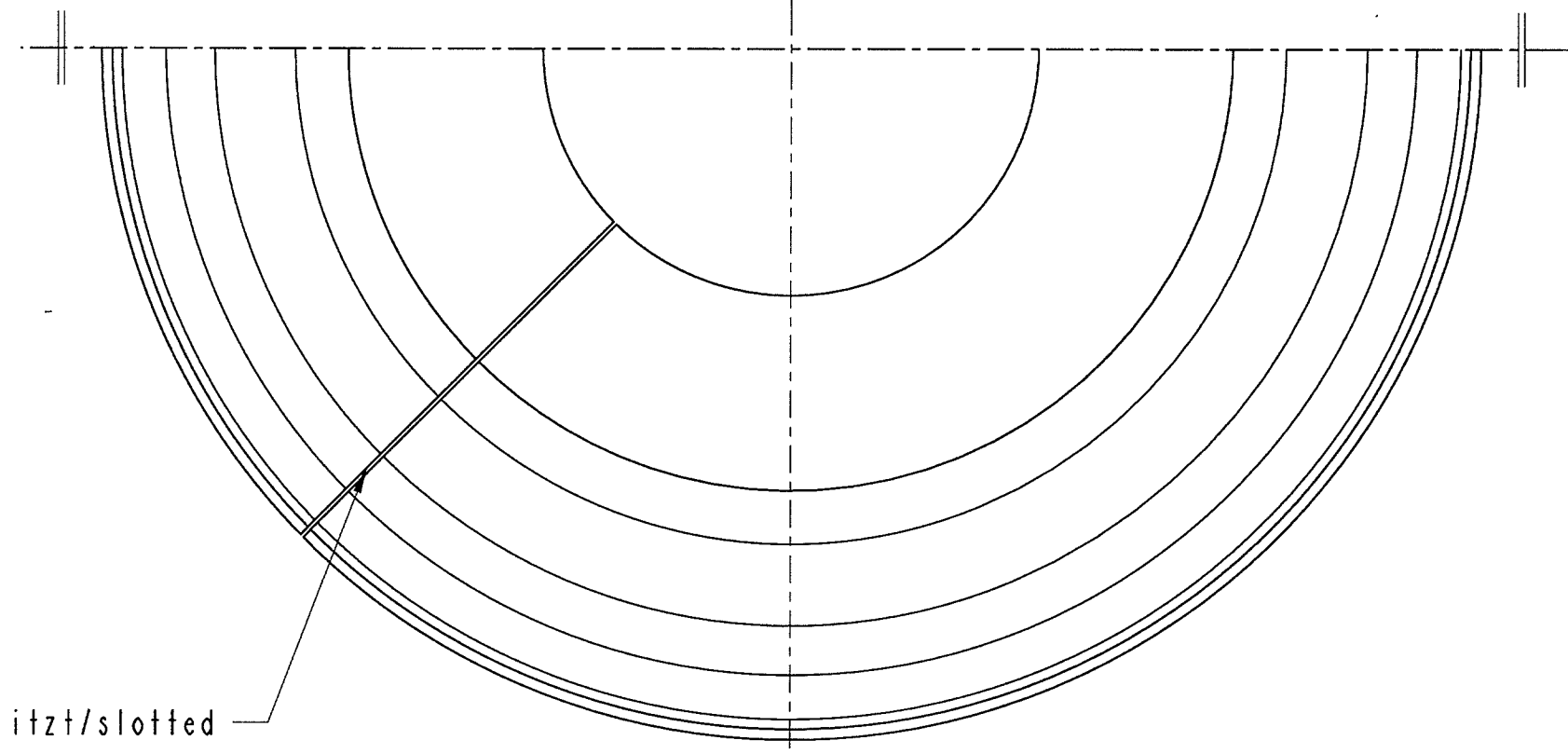
Werkstoff/ Material	PE - LD	Mat.-Code	4681
------------------------	---------	-----------	------

Benennung/  
Partname  
 Abdeckkappe  
 plug

Teil-Nr./ Part-No.	208071 000	C
-----------------------	------------	---



Anspritzbutzen zulaessig  
 Core at injection point allowed



geschlitzt/slotted



208071 000	schwarz black	SW	7000
Teil-Nr. / Part-No.	Oberflaeche / Farbe / Finish / colour	Kennzahl / Code number	Ausfuehrung / Execution