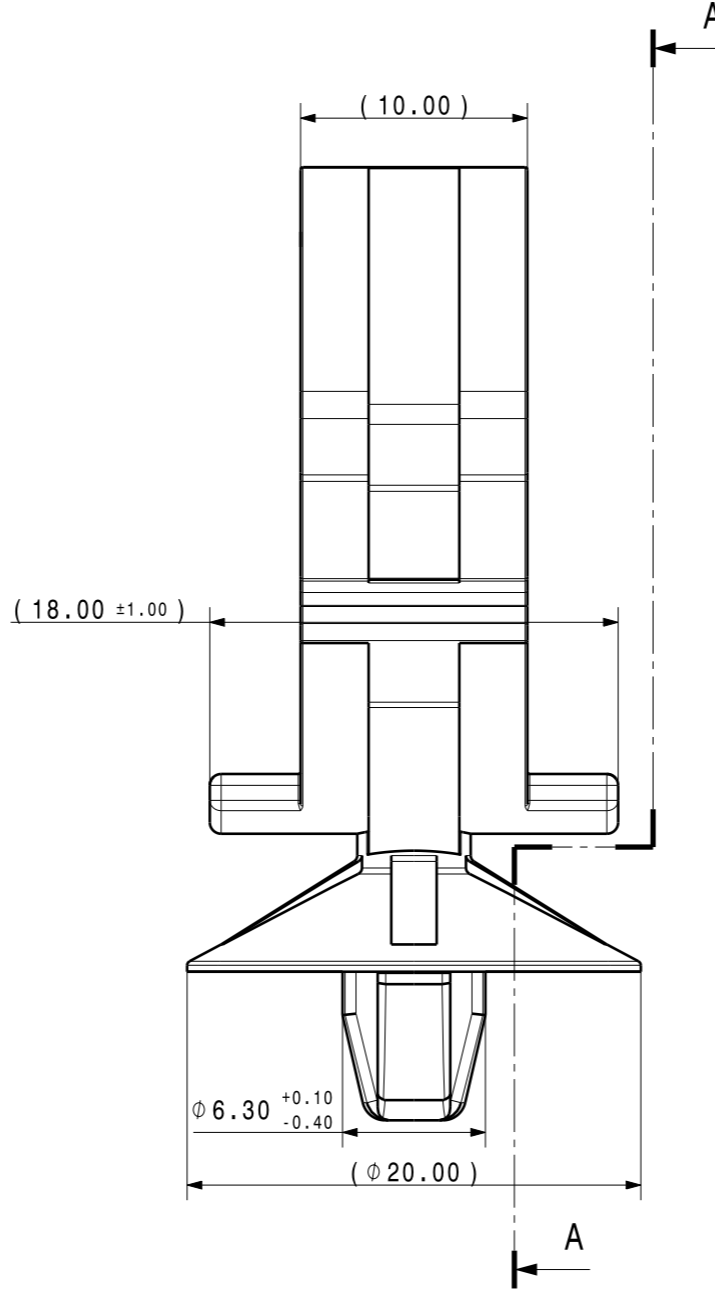
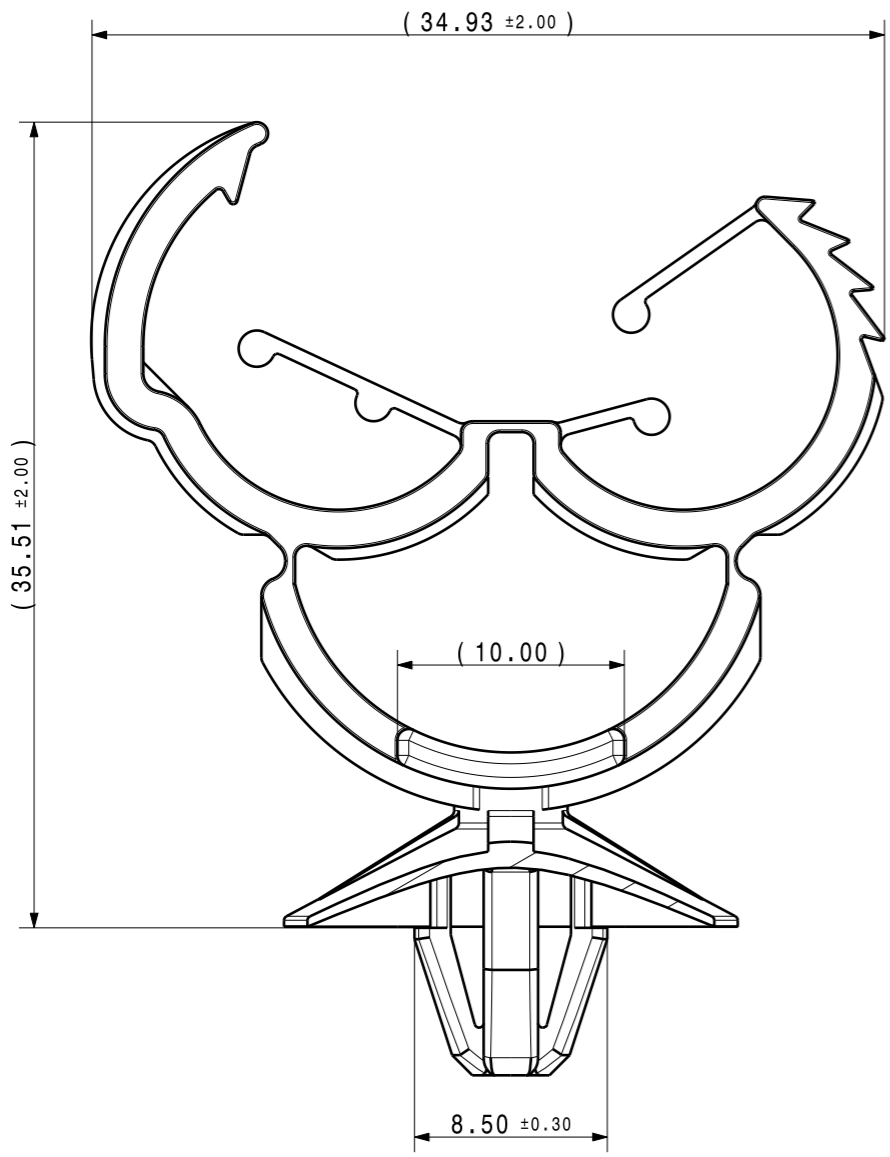
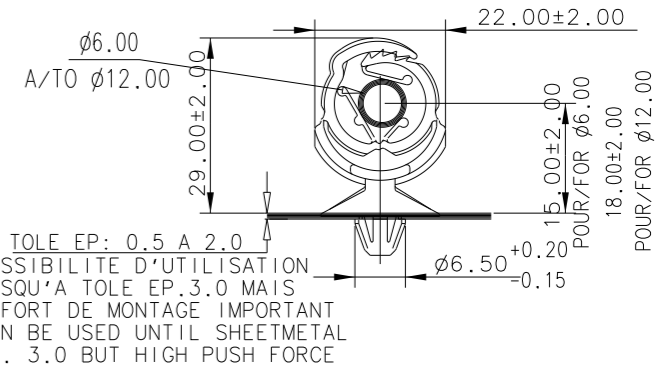


| Variant | Matières / Materials | Traitements structuraux / Material treatments | Finitions / Finishes | Poids / Weight (g) |
|---------|-------------------------|--|-------------------------|-----------------------|
| 04 | PPC 0400 | Sans Without | Noir Black | 2,2 |
| 05 | PA66 12 | REPRISE D'HUMIDITE 2% MINI 2% mini of Humidity rework | Marron Brown | 2,7 |
| 06 | PA6 00 | REPRISE D'HUMIDITE 2% MINI 2% mini of Humidity rework | Noir Black | 2,7 |
| 07 | PA66 20 | Sans Without | Noir Black | 2,6 |



Une consultation préalable de A.Raymond SARL est nécessaire pour toute mise en place de la pièce en automatique.
Automatic processing of the part requires prior consultation with A.Raymond SARL.

EXEMPLE D'UTILISATION/USE EXAMPLE
ECHELLE/SCALE : 1:1



ARaymond
A. RAYMOND SARL
113 cours Berriat BP 157
France - 38019 Grenoble cedex 1
Tel +33 (0) 4 76 33 49 49
Fax +33 (0) 4 76 78 20 50

Si problème de compréhension, merci de demander la version française à ARaymond avant toute utilisation.
"CONDITIONS OF USE"
This drawing and all information (the "Drawings") disclosed are the exclusive property of A.Raymond.
By using this Drawing the Addressee acknowledges and accepts that this Drawing (1) is covered by A.Raymond intellectual property rights or know-how and (2) is provided under the following conditions which represent a Deposit Agreement. This Drawing is for Addressee internal use only limited to its estimation. Without prior written consent of A.Raymond, no permission or rights for any purpose, is hereby granted, such as, without any limitation, (1) the copy, in part or entirely (2) and/or the presentation, in part or entirely, to any other third party outside the Addressee company or in the company but with no interest (3) and/or the distribution of the Drawings, in part or entirely, in any medium (4) and/or the creation of any derivative work. In case of breach of these conditions, Addressee shall indemnify A.Raymond from and against all damages (compensatory or consequential), costs, expenses and charges, caused or arising out of or attributable to its willful misconduct, fraud, negligence, infringement of A.Raymond Intellectual Property rights. If the Addressee does not accept these conditions, please notify A.Raymond sender immediately.

| | | | |
|--------------------------------------|---------------------|--|-----------------------------|
| Brevets / Patent rights | | Classification code BADA - | |
| N° Projet / Project No. | Origine / Origin | Chef de projet / Project Manager | |
| Echelle / scale 3:1 | Format A3 | Tolerance / General tolerance Dimension Angle ± 0.50 ± 5.00° | Date 20.10.1988 |
| ALL DIMENSIONS ARE IN MILLIMETERS | | Realisé / Prepared by AILHAS.F | |
| Epaiss. / Mat. thickness | | Approuvé / Approved 20110517090216 | Volume (mm³) 2411 |
| Poids / Weight (g) | | - | |

Finition / finish
**Voir nomenclature
See parts list**

Traitement structural / Material treatment
**Voir nomenclature
See parts list**

Matière / Material
**Voir nomenclature
See parts list**

Libelle / Title
**Support tube à verrouillage
Locking pipe fastener**

Reference / Part no.
055286 - 0 - 04

Drawing type
C:Customer

| | | | | | |
|------|--------|-------------------------------|----------|------|---------------------------------------|
| Cc | - | UPDATED DRAWING | 17.05.11 | FAI | Ref. client / Customer part no. |
| REV. | Quant. | Indice / revision description | Date | Name | CAD system & version CATIA V5 R19 SP7 |

Nom fichier / File name **055286-0C04**

VERIFIER L ECHELLE APRES PHOTOCOPIE / BEWARE SCALE AFTER COPY

4
3
2
1