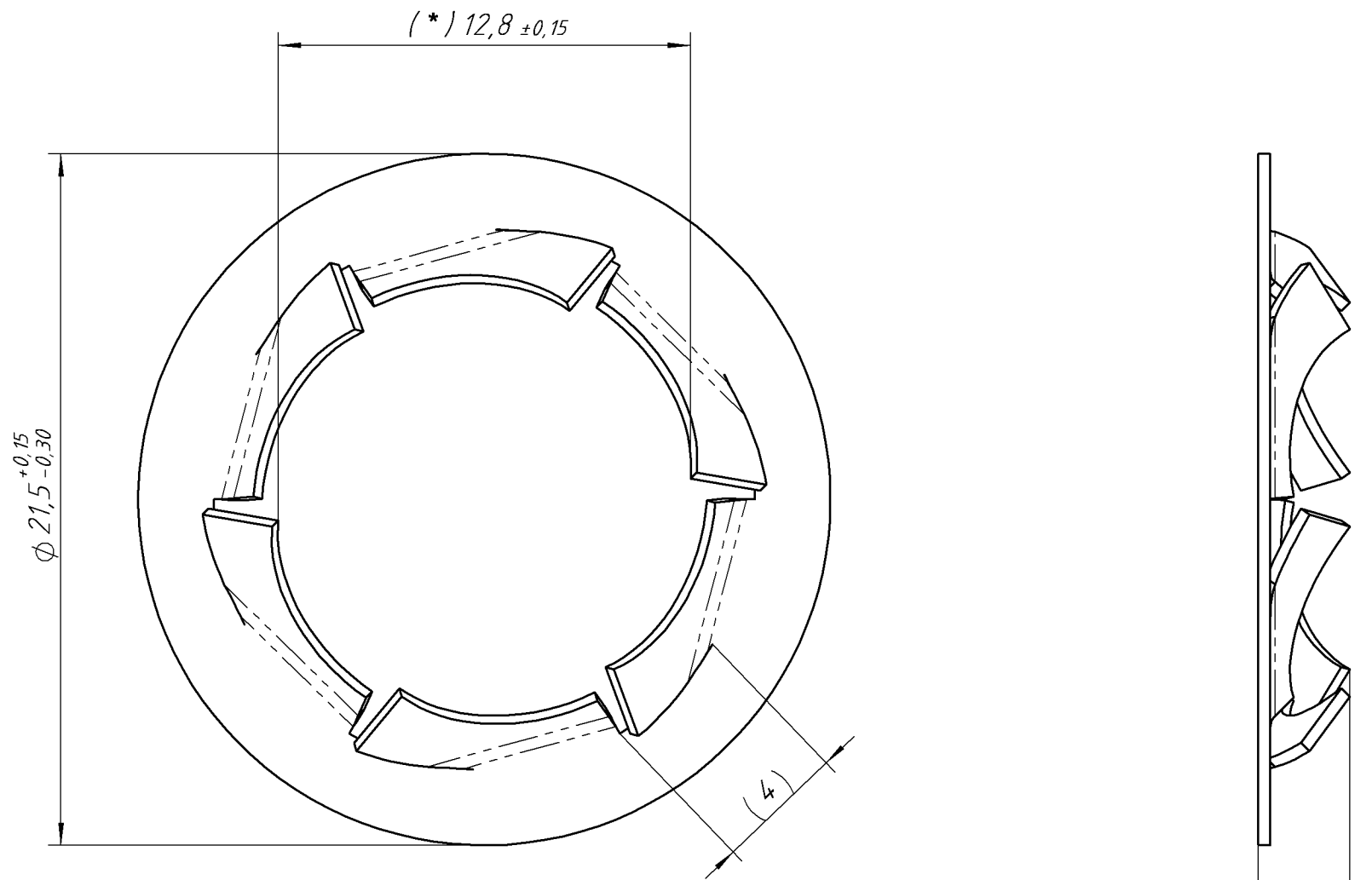


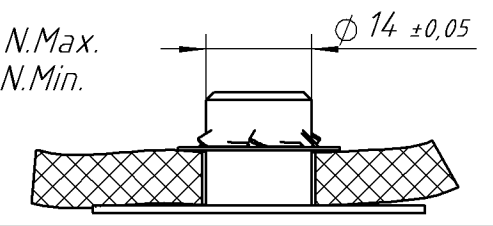
-(*) A verificar mediante calibre $\phi 12,8 (+0,15)$.
 -(*) To be tested with test caliber $\phi 12,8 (+0,15)$.



> 400 <= 1000	-
> 120 <= 400	-
> 30 <= 120	-
> 6 <= 30	$\pm 0,5$
<= 6	$\pm 0,25$
Angulo / Angle	$\pm 3^\circ$
Tol. generales para cotas sin especificar. General tolerances for nominal dimensions without specifiet tolerance.	

151924 001	Delta Protekt KL-100.(3capas)+ Delta Protekt VH-302 GZ.Gris.(1 capa) RNS=840 horas Min.	238
Número/ Part Nr.:	Acabado/Color/ Finish/Colour	Código/ Code number
	Posibilidades/Execution	

Observaciones/
Remarks: **CONDICIONES DE MONTAJE:**
 -Clip adecuado para eje $\phi 14 (\pm 0,05)$.
 -Esfuerzos de montaje sobre eje cilindrico de hierro de $\phi 14 (\pm 0,15)$.
 Montaje: 115 N.Max.
 Retención: 1335 N.Min.



Ind.	Nº cotas/ how often	Descripción / Description	Fecha/Date	Firma/ Name
Modificaciones / Modifications				

Formato DIN A 3

Si tuvieran problemas de comprensión, por favor soliciten la versión española a A.Raymond antes de usar este plano.
 "CONDITIONS OF USE"
 This drawing and all information (the "Drawing") disclosed are the exclusive property of A.Raymond. By using this Drawing the Addressee acknowledge and accept that this Drawing (1) is covered by A.Raymond' intellectual property rights or know-how and (2) is rovided under the following conditions who represent a Deposit Agreement. This Drawing is for Addressee' internal use only limited to its estimation. Without prior written consent of A.Raymond, no permission or rights for any purpose, is hereby granted, such as, without any limitation, (1) the copy, in part or entirely (2) and/or the presentation, in part or entirely, to any other third party outside the Addressee' company or in the company but with no interest (3) and/or the distribution of the Drawing, in part or entirely, in any medium (4) and/or the creation of any derivative work. In case of breach of these conditions, Addressee shall indemnify A.Raymond from and against all damages (compensatory or consequential), costs, expenses and charges, caused or arising out of or attributable to its willful misconduct, fraud, negligence, infringement of A.Raymond' intellectual Property rights. If the Addressee does not accept these conditions, please notify A.Raymond' sender immediately.

Archivo n / Filename			
Sustituye a / Substitute for	Proy. nº / Proj.-Nr	-	Código SAFIX EAAA
	Vol. (mm3)	89	Peso N (g) Weight (g) 0,8

Referencias patentes/ Patent rights:	-		
Aprobado/ App.	Producción / Produktion	Calidad / Quality	Aprb. pat / Patent app.
Escala/Scale:	Tolerancias gen. salvo especific. contraria/ General tol. unless otherwise specified	Fecha/ Date	23-08-05
5:1	Ver tabla / see table	Dibujado/ Drawn	J.Portella

Acabado/ Finish:	Ver tabla / see table	Código acab / Code number	110
---------------------	-----------------------	------------------------------	-----

Tratamiento/ Material treatment:	Temple bainítico 380-430 HV. (Austempered)	Espesor mat / Mat thickness DIN EN 10140	0,38
-------------------------------------	---	--	------

Material/ Material:	Acero C67S EN.10132-4	Código mat / Mat.-Code	050
------------------------	-----------------------	---------------------------	-----

Denominación/ Part name:	Clip 14 Psh On		
-----------------------------	----------------	--	--

Número/ Part Nr.:	151924 000	Plano/Plan	C
----------------------	------------	------------	---