

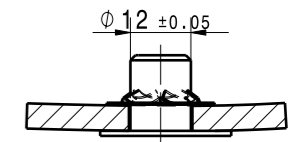
Variant	Acabado / Finishes
02	Sin Without
03	Delta-Protpekt KL-100 3c + VH-302 GZ gris 1c / RNS:840h Delta-Protpekt KL-100 3c + VH-302 GZ grey 1c / NSS:840h

-(\*) A verificar con calibre  $\Phi 10,8(\pm 0,15)$ .  
(Measured with caliber  $\Phi 10,8(\pm 0,15)$ )

El proceso de montaje en automático de la pieza requiere previamente la consulta a A.Raymond Tecniacero.  
Automatic processing of the part requires prior consultation with A.Raymond Tecniacero.

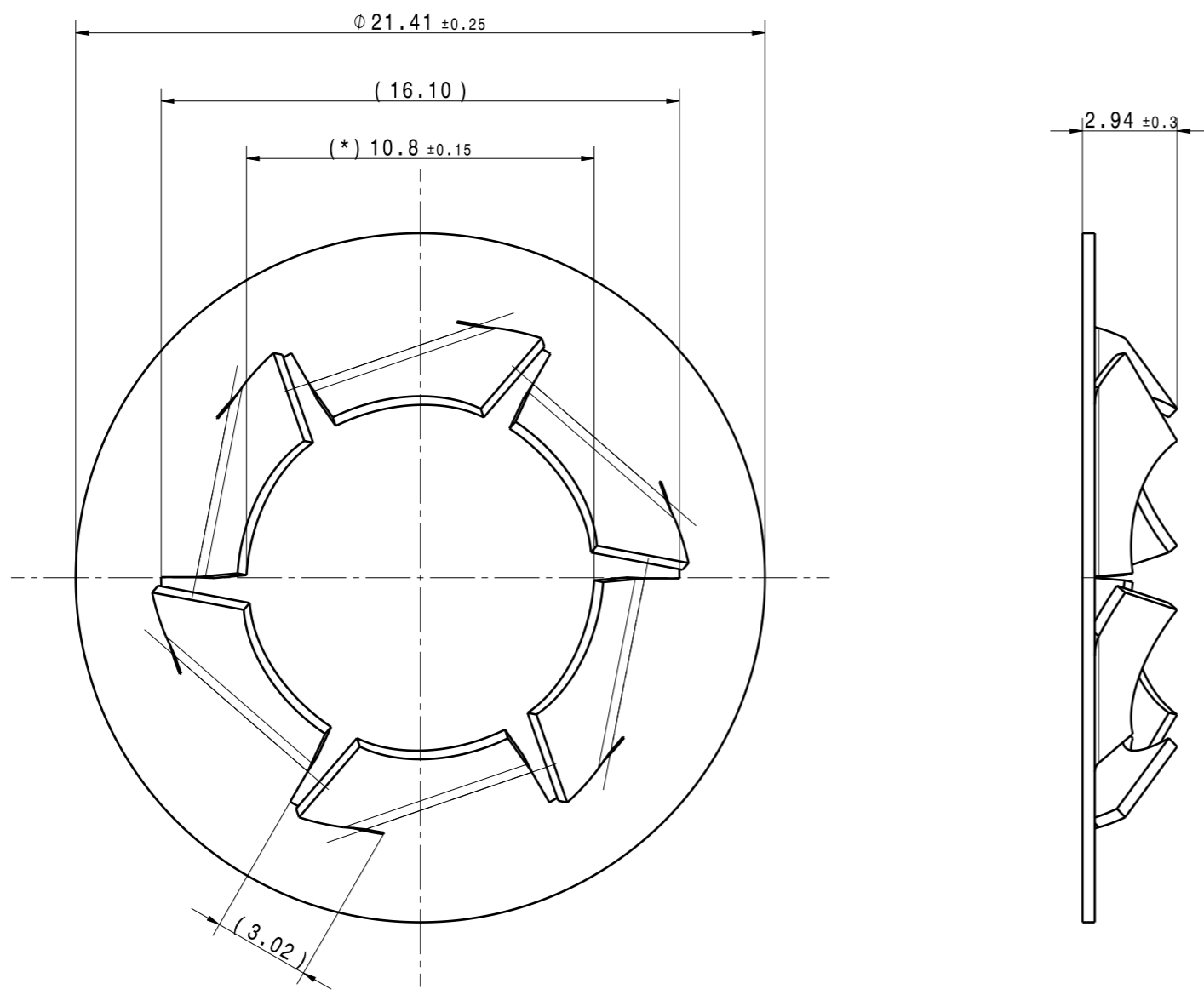
**CONDICIONES DE MONTAJE:**

- Clip adecuado para eje  $\Phi 12(\pm 0,05)$ .
- Esfuerzos sobre eje cilindrico de hierro  $\Phi 12(\pm 0,05)$ .
- Montaje: 115N.Max.
- Retención: 1335N.Min.



**ASSEMBLY CONDITIONS:**

- Clip suitable for rod  $\Phi 12(\pm 0,05)$ .
- Forces measured on cylindrical steel rod  $\Phi 12(\pm 0,05)$ .
- Push on: 115N.Max.
- Pull out: 1335N.Min.



VERIFICAR LA ESCALA DESPUÉS DE LA FOTOCOPIA / BEWARE SCALE AFTER COPY

Aa	-	Actualizar I-Way. / I-Way update.	13.09.13	JPO
REV.	Quant.	Indice / revision description	Date	Name

**ARaymond**

Ctra. Manresa a Berga km 0,5  
Spain - 08272 Sant Fruitós de Bages  
Tel +34 938 771 314  
Fax +34 938 770 260

Si tuvieran problemas de comprension, por favor soliciten la version espanola a ARaymond antes de usar este plano.  
"CONDITIONS OF USE"  
This drawing and all information (the "Drawing") disclosed are the exclusive property of A.Raymond.  
By using this Drawing the Addressee acknowledge and accept that this Drawing  
(1) is covered by A.Raymond intellectual property rights or know-how and  
(2) is provided under the following conditions who represent a Deposit Agreement.  
This Drawing is for Addressee internal use only limited to its estimation.  
Without prior written consent of A.Raymond, no permission or rights for any purpose, is hereby granted, such as, without any limitation,  
(1) the copy, in part or entirely  
(2) and/or the presentation, in part or entirely, to any other third party outside the Addressee company or in the company but with no interest  
(3) and/or the distribution of the Drawings, in part or entirely, in any medium  
(4) and/or the creation of any derivative work.  
In case of breach of these conditions, Addressee shall indemnify A.Raymond from and against all damages (compensatory or consequential), costs, expenses and charges, caused or arising out of or attributable to its willful misconduct, fraud, negligence, infringement of A.Raymond Intellectual Property rights. If the Addressee does not accept these conditions, please notify A.Raymond sender immediately.

Intellectual property rights	Codigo SAFIX / Classification <b>EAAA-</b>		
Nº Proyecto / Project No.	Sustituye / Origin nivel: <b>A/25-10-06</b>	Resp de proyecto / Project Manager	<b>ROCA.I</b>
Escala / scale	Format	Tolerancias generales / General tolerance	Fecha / date
<b>5:1</b>	<b>A3</b>	Cf nota Cf nota	<b>13.09.2013</b>
		ALL DIMENSIONS ARE IN MILLIMETERS	Aprobado / Approved
		Espesor mat. / Mat. thickness <b>0,38</b>	Volumen / volume (mm³) <b>107,3</b>
			Peso / Weight (g) <b>0,8</b>

Acabado / finish  
**See parts list**  
**Ver dibujo**

Tratamiento mat. / Material treatment  
**Templado bainítico 380-520 HV**  
**Austempered 380-520 HV**

Material / Material  
**C67S EN 10132-4**

Denominación / Title  
**Fijación para ejes**  
**(Eje  $\Phi 12$ )**  
**Axis stopper**  
**(Rod  $\Phi 12$ )**

Número / Part no.  
**151857-0-02**

Tipo dibujo / Drawing type  
**C-Customer**

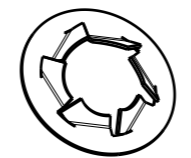
Ref. cliente / Customer part no.

Hoja / Sheet **1/1**

CAD system & version **CATIA V5 R19 SP9** Nombre fichero / Filename **151857-0C02**

>400 <= 1000	±2
>120 <= 400	±1.5
> 30 <= 120	±1
> 6 <= 30	±0.5
<= 6	±0.25
Angulo / Angle	±3°
Tolerancias generales para cotas sin especificar. General tolerances for nominal dimensions without specified tolerances.	

<http://www.cergy-vis.fr>  
**[CERGY-VIS]**  
ET SI ON PARLAIT SERVICE



**VISTA 3D.**  
**(3D VIEW)**  
Scale 1:1