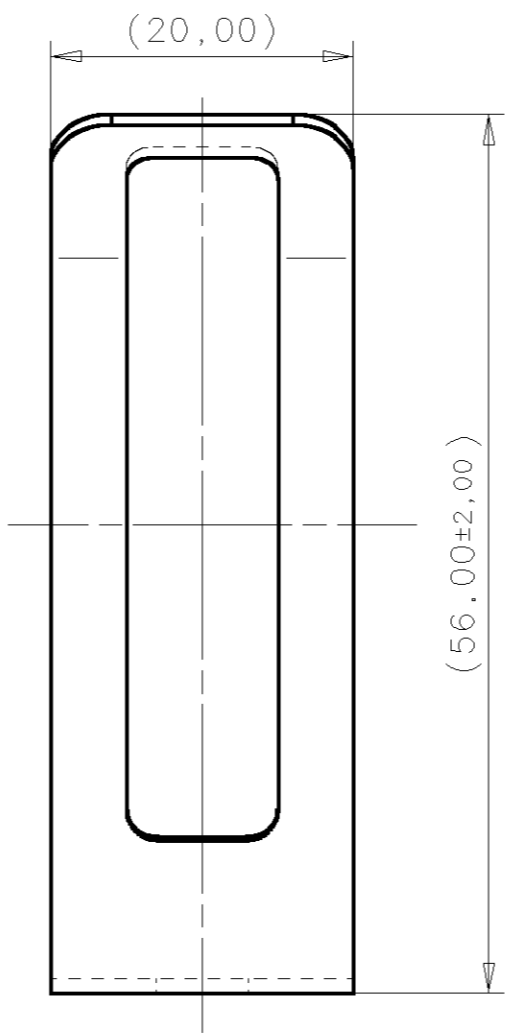
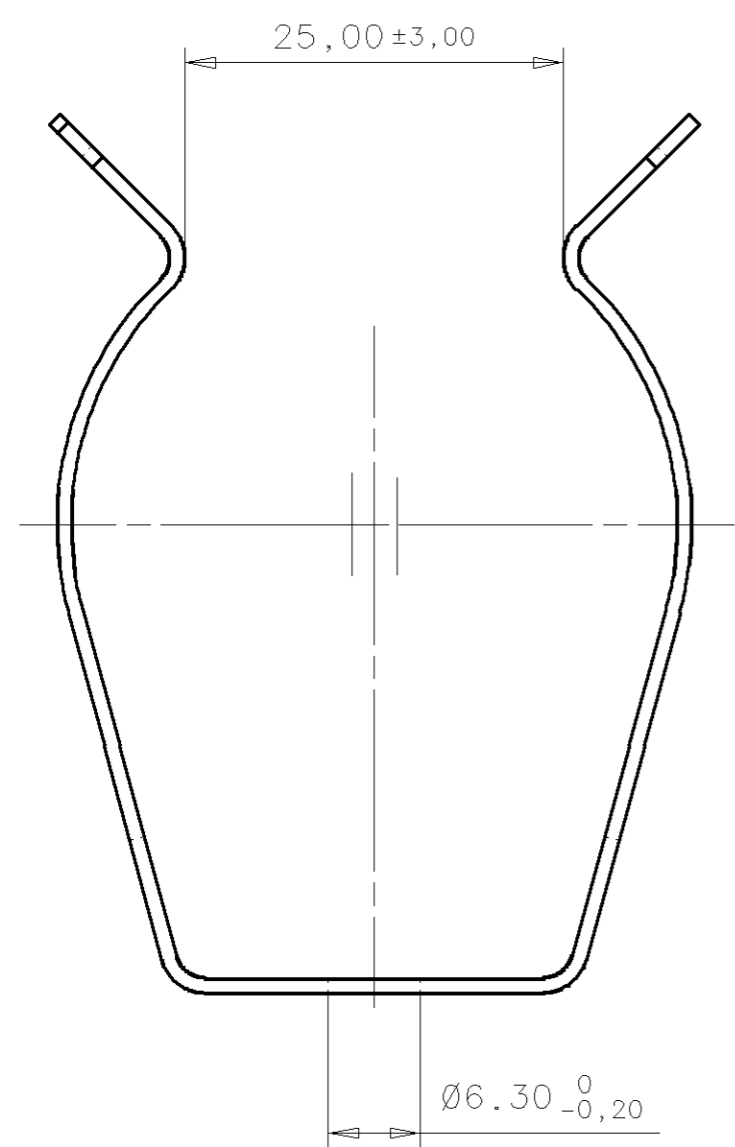


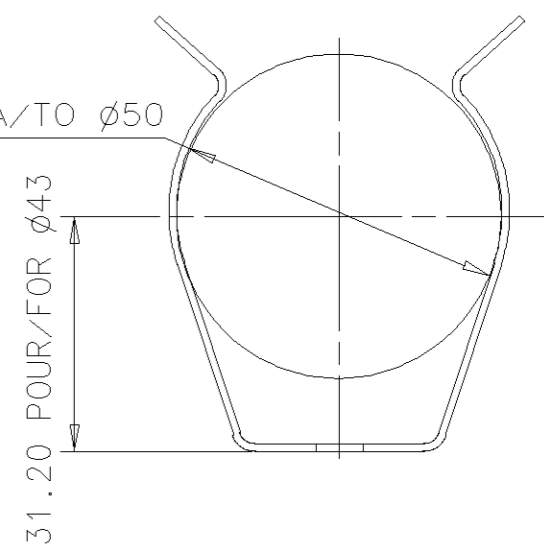
PIECES	FINITION
053901.006	BRUT DE TREMPE
053901.008	FOM+CrIII(XII)+ZnNi(12-15%[Ni])8-(I)
053901.011	FOM+CrIII(XII)+Zn(10-20µm)(I)
053901.014	ZnFL [Si(II)+Zn-Al 08 mini(XII)]
053901.016	FOM+CrIII(XII)+ZnNi(12-15%[Ni])8-(I) + PVC

<http://www.cergy-vis.fr>
[CERGY-VIS]
 ET SI ON PARLAIT SERVICE

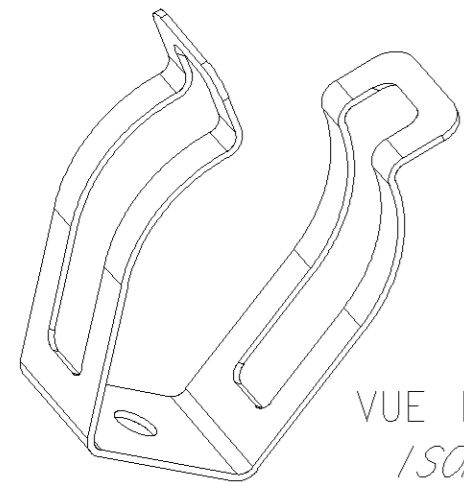
EXEMPLE D'UTILISATION/USE CONDITION
 ECHELLE/SCALE : 2:1



POUR/FOR Ø43 A/TO Ø50



VERIFIER L ECHELLE APRES PHOTOCOPIE / BEWARE SCALE AFTER COPY



VUE ISOMETRIQUE ECHELLE 1:1
 ISOMETRIC VIEW SCALE 1:1

IND	Nb DIM	DESCRIPTIONS / DESIGNATIONS	DATE	VISAS
Mq	--	INTERNATIONAL DRAWING	12/01/10	FA
Mf	--	MISE A JOUR PLAN / B.E.D	19-05-09	B V
Me		Ajout variante 016	24/07/07	MM
Md		Mise à jour SAP	04/10/02	FC

If the addressee does not accept these conditions, please notify A.Raymond sender immediately.
Si problème de compréhension, merci de demander la version française à A.Raymond avant toute utilisation.
 This drawing and all information (the "Drawing") disclosed are the exclusive property of A.Raymond.
 By using this Drawing the Addressee acknowledges and accepts that this Drawing (1) is covered by A.Raymond intellectual property rights or know-how, and, (1) is provided under the following conditions who represent a Deposit Agreement.
 This Drawing is for Addressee' internal use only limited to its estimation.
 Without prior written consent of A.Raymond, no permission or rights for any purpose, is hereby granted, such as, without any limitation,
 (1) the copy, in part or entirely,
 (2) and/or the presentation, in part or entirely, to any other third party outside the Addressee' company or in the company but with no interest
 (3) and/or the distribution of the Drawing, in part or entirely, in any medium
 (4) and/or the creation of any derivative work.
 In case of breach of these conditions, Addressee shall indemnify A.Raymond from and against all damages (compensatory or consequential), costs, expenses and charges, caused or arising out of or attributable to its willful misconduct, fraud, negligence, infringement of A.Raymond' Intellectual Property rights.

FORMAT	SCALE/ECH	TH/EP(mm)	VOL(mm3)	WEIGHT/POIDS(g)	SHEET/PLANCHE	TOLERANCE dimension / angle	DATE
A3	2:1	1.00			1/1	± 0.50 5°	12/03/79

SURFACE TREATMENT OR COLOR / TRAITEMENT DE SURFACE OU COULEUR:

CF NOMENCLATURE

MATERIAL TREATMENT / TRAITEMENT STRUCTURAL: ACHIEVED/REALISE: **VIRGONA B**
TTH.HR 30 N : 61,3 a 64,7 (42 a 46 HRc)
 VISA:

MATERIAL / MATIERE: APPROVED/APPROUVE: **FOUESNEAU D**
C67S-A
 VISA:

TITLE / LIBELLE: **LYRE POUR Ø43 A Ø50**
COLLAR FOR Ø43 TO Ø50
 PATENTS / BREVETS:

CUSTOMER DATA / REF. CLIENT:
 NUMBER / NUMERO: **053901 .006**

113, cours Berriat .BP 157 .38019 Grenoble cedex 1 France ; Tel 04 76 33 49 49 ; Fax 04 76 48 20 50